

# [ History ]

## 1. 2015.10.26 [VERSION 1.2]

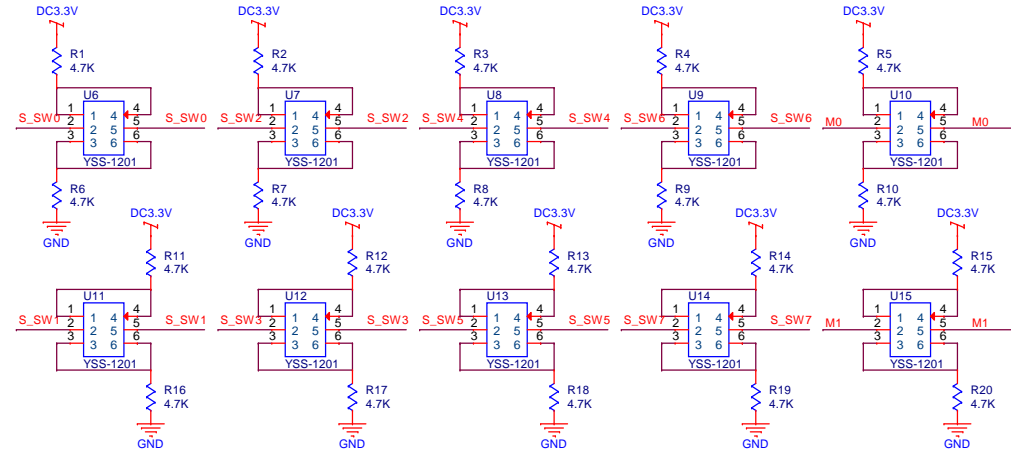
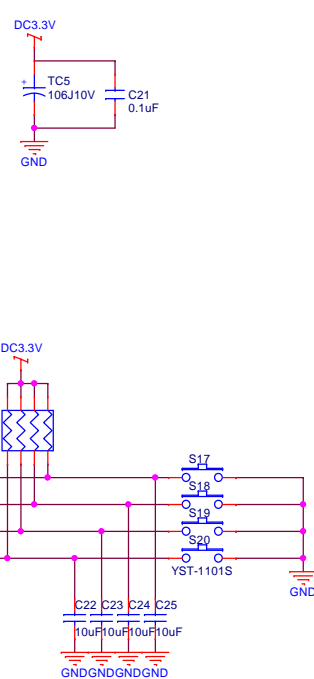
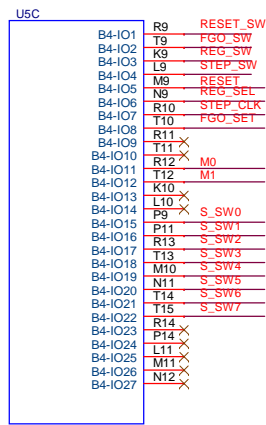
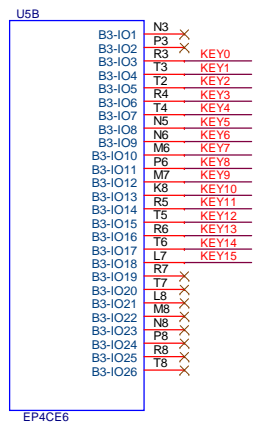
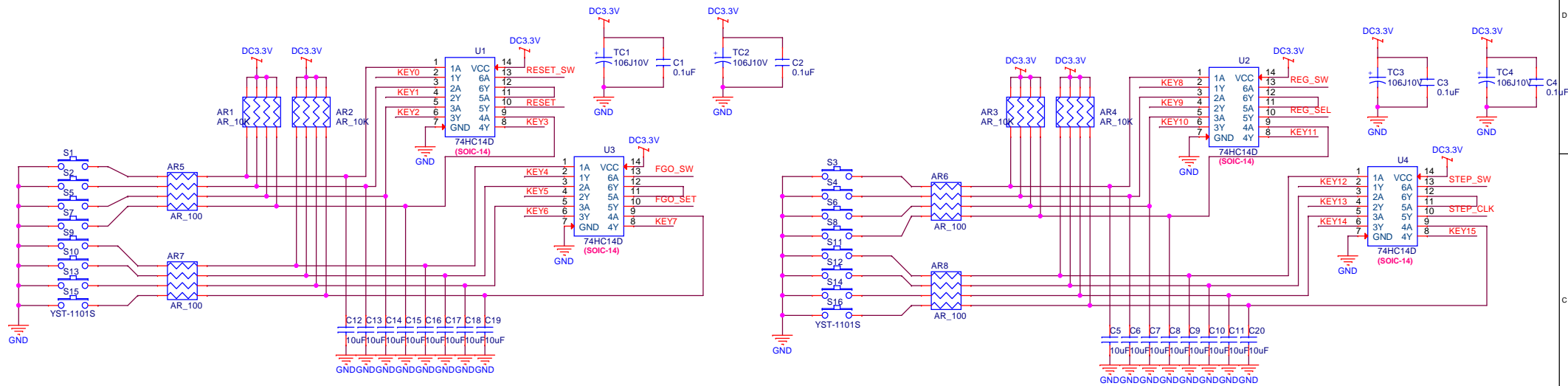
- F11 I/O 핀 연결
- J4 커다 P 모듈 이 등 배 치

## 2. 2022.07.02 [VERSION 1.3]

- FPGA 열 / 면 경
- 3page, J3/J4, R9,R10,C34 재
- 4page, USB Blaster 특 가

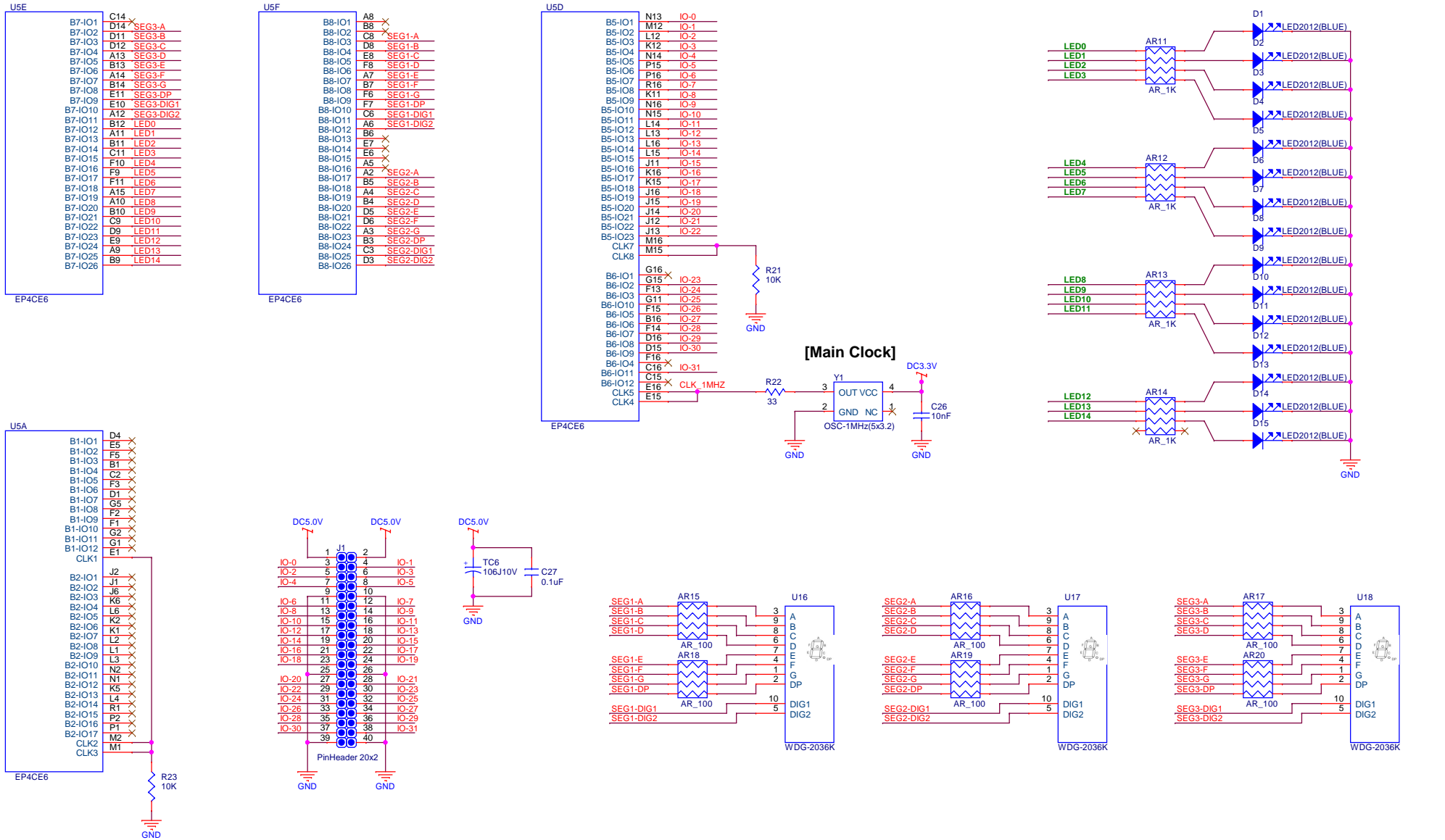
Title		DIGCOMA_EP4CE6_FPGA256	
Size	Document Number	Rev	
A3	History	1.3	
Date:	Wednesday, August 23, 2023	Sheet	1 of 5

# [ Key and Switch Interface ]



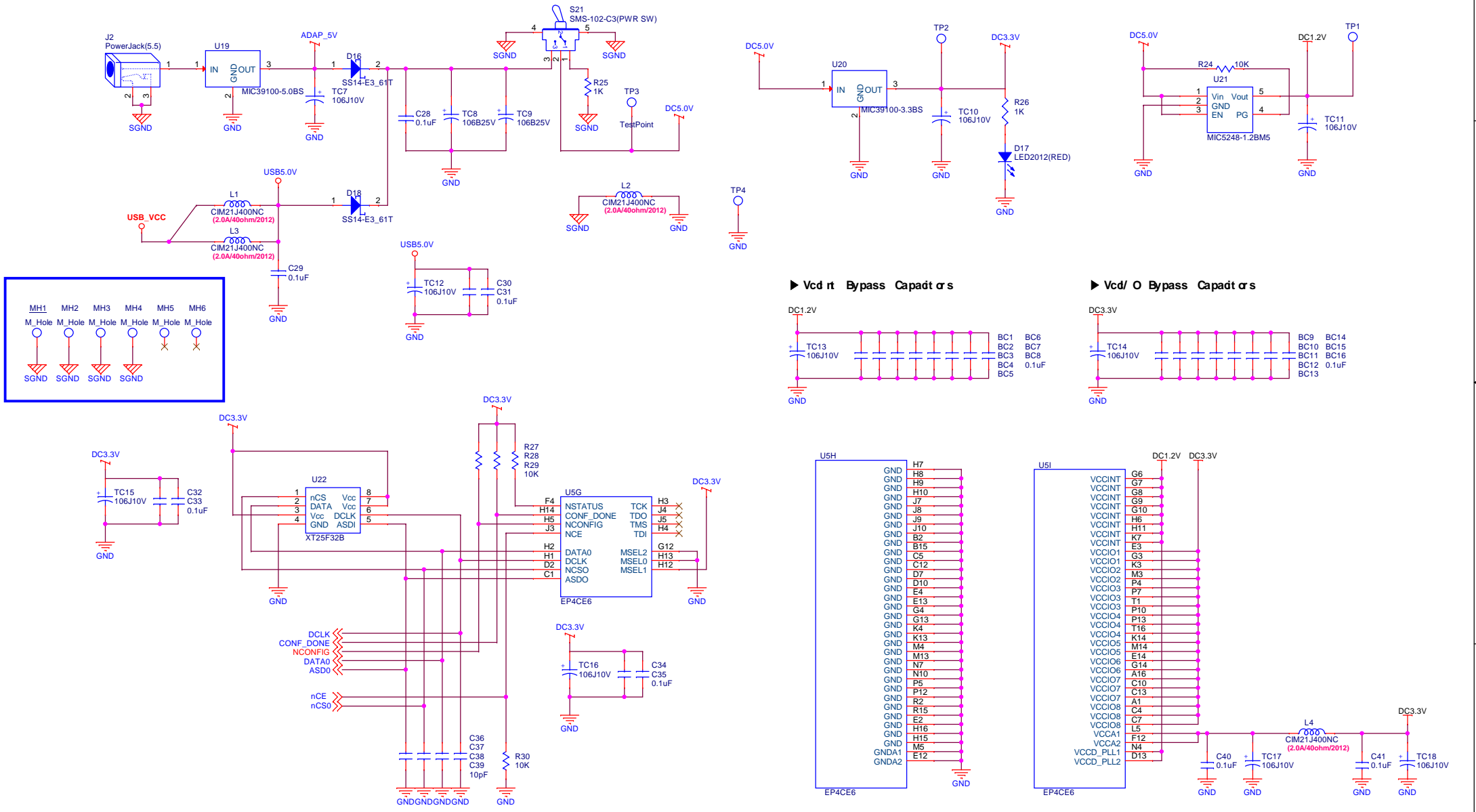
Title		
DIGCOMA_EP4CE6_FBG256		
Size	Document Number	Rev
A3	Key and Switch I/F	1.3
Date:	Wednesday, August 23, 2023	Sheet 2 of 5

# [ LED and 7-Segment, Expansion I/O Interface ]



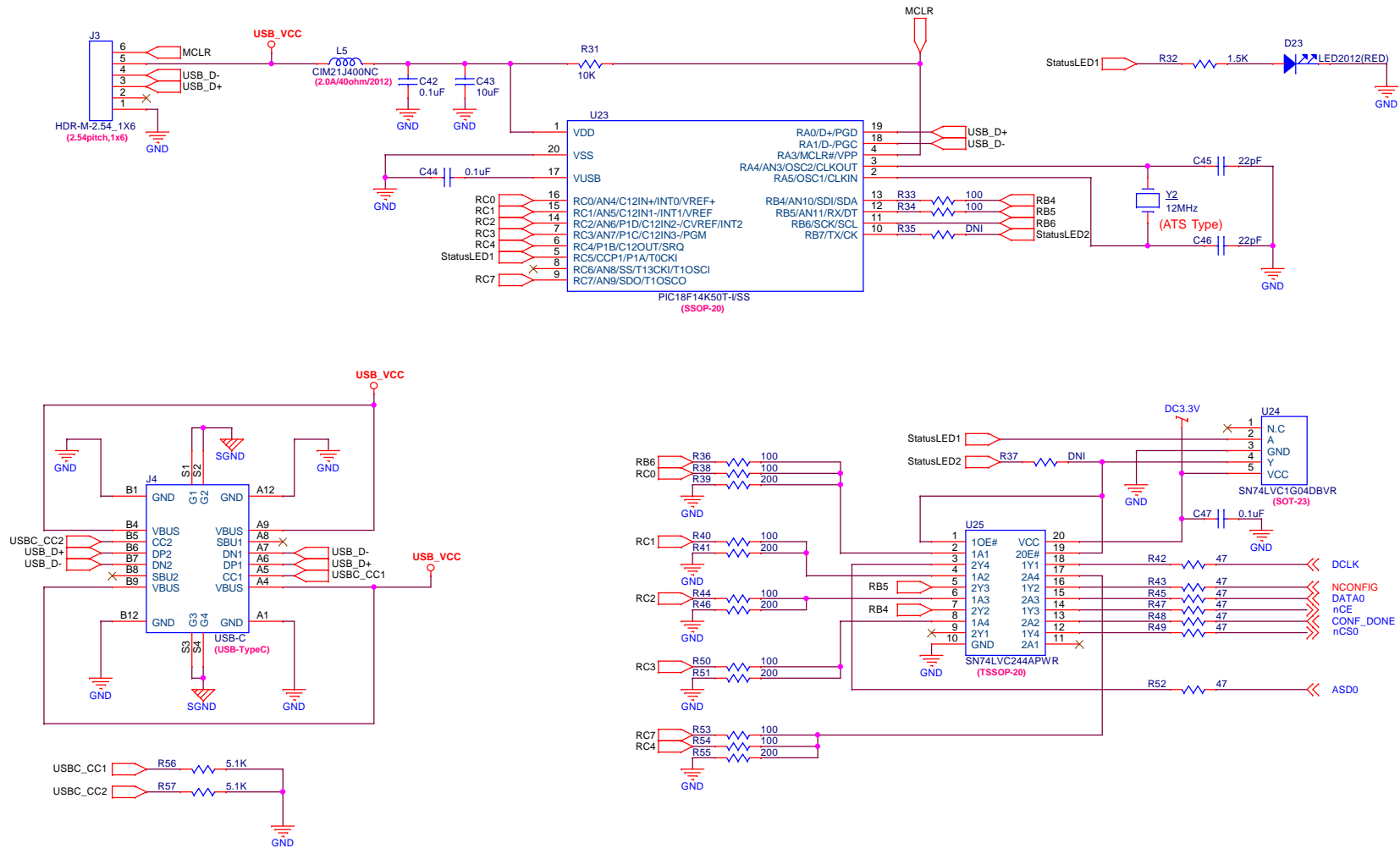
Title		
DIGCOMA_EP4CE6_FPGA256		
Size	Document Number	Rev
A3	LED and 7Seg, Exp I/F	1.3
Date:	Wednesday, August 23, 2023	Sheet 3 of 5

# [ Power and Configuration Interface ]



Title		
DIGCOMA_EP4CE6_FPGA256		
Size	Document Number	Rev
A3	Power and Config I/F	1.3
Date:	Wednesday, August 23, 2023	Sheet 4 of 5

# [ USB Blaster Interface ]



Title		
DIGCOMA_EP4CE6_FBGA256		
Size	Document Number	Rev
A3	USB Blaster Interface	1.3
Date:	Wednesday, August 23, 2023	Sheet 5 of 5